

Lutz flow meter program

The Reasonable: Lutz flow meter TR

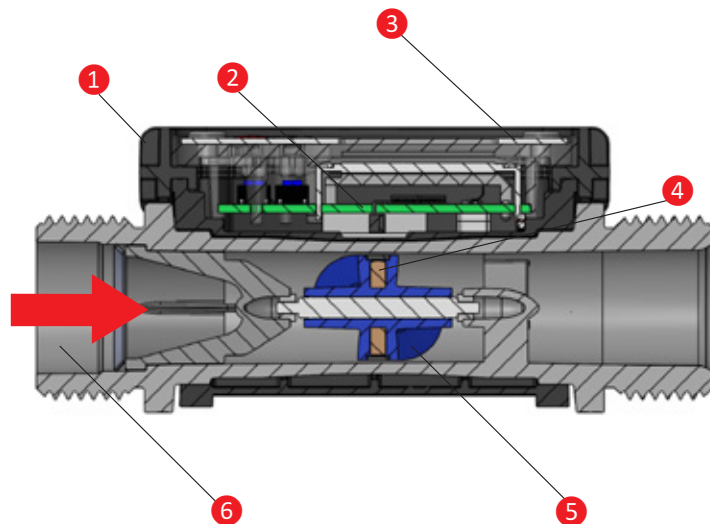


Easy to operate

Easy to operate, compact and quick to install on all drum and container pumps: The new Lutz flow meter TR3 in PP or PVDF. A flow meter, easy to handle, that you can „count on“ in any situation. The symmetrical measuring chamber can be used for all flow directions and measures low-viscosity, non-flammable substances precisely, quickly and above all efficiently.

With drive to the measurement result

The new TR3 with illuminated, digital display according to the measuring principle of a turbine wheel meter has a two-line LED display showing the current output and the total memory or the 8 partial quantity memories. The display can be mounted adapted to the viewing angle or moved when mounted. The measuring accuracy is better than $\pm 1\%$, the nominal operating pressure is 10 bar.



Benefits:

- Flexible installation
- Variable display alignment
- Larger volume flow range
- Easy change of battery

- 1 Housing top (PC) with shock protector (NBR)
- 2 PCB
- 3 Keypad foil
- 4 Magnet
- 5 Axial flow turbine (PP or PVDF)
- 6 Measuring chamber (PP or PVDF)

The economical liquid volume measurement

The choice is yours



PP for neutral and aggressive liquids

such as glycol, ferric (III) chloride, hydrochloric acid, phosphoric acid, etc.



PVDF for highly aggressive fluids

such as chlorine solution, nitric acid, sulphuric acid, etc.

Lutz offers complete pumping systems for the laboratory and research sector. The pump set Lutz B2 Vario can be optionally equipped with a flow meter TR3-PP (Order No. 0213-051).



Type		TR3-PP		TR3-PVDF	
Material	Housing top Keypad Shock protector	PC PES NBR		PC PES NBR	
Material (in contact with the medium)	Measuring chamber Rotor Shaft Bearing ball Seal	PP PP Hastelloy C-22 PTFE PTFE		PVDF PVDF Hastelloy C-22 PTFE PTFE	
Range of measurement		5-120 l/min.		5-120 l/min.	
Range of viscosity		0.8-40 mPas		0.8-40 mPas	
max. operating pressure		10 bar		10 bar	
Measuring accuracy (uncalibrated)		± 2%*		± 2%*	
Measuring accuracy (calibrated)		± 1%*		± 1%*	
Repeating accuracy		± 0,5%		± 0,5%	
Connection		G 1	G 1 1/4	G 1	G 1 1/4
Protection class		IP 65		IP 65	
Battery		Two 1.5 V batteries (AAA) replaceable		Two 1.5 V batteries (AAA) replaceable	
Range of temperature		-10 up to +50 °C		-10 up to +50 °C	
Dimensions		85 x 123 x 52 mm		85 x 123 x 52 mm	
Weight		0.22 kg		0.24 kg	
Order No.	Assembly at B1/B2 Battery/B2 Vario	0213-051	-	0213-061	-
Order No.	Assembly at drum pump	-	0213-050	-	0213-060
Order No.	Assembly at nozzle	-	0213-052	-	0213-062

* Test assembly: Medium: water/diesel, flow in the preferred direction, settling section of 0.2 m on inlet and outlet of the flow meter