

SUCTION LANCES



OVERVIEW

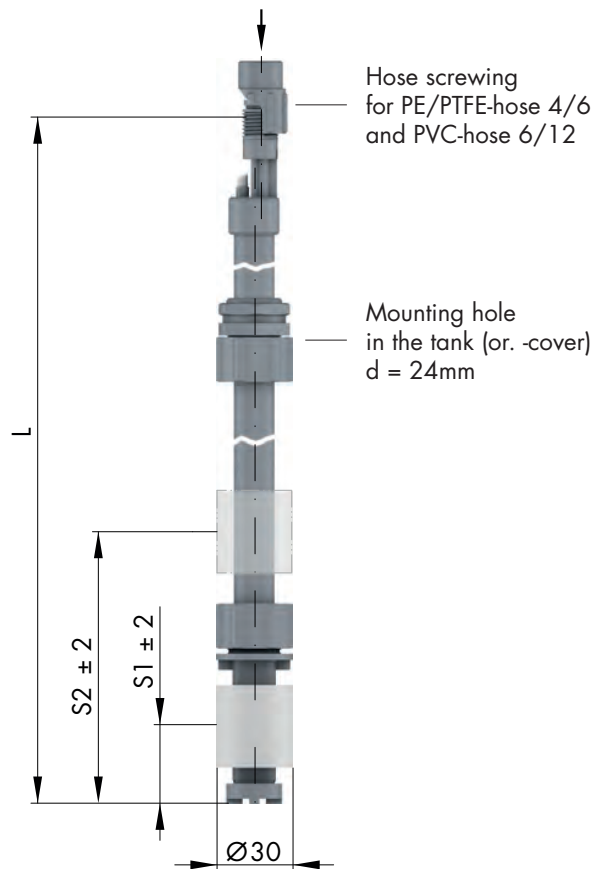
- Compact design
- Safe
- Height adjustable
- 2-stage level monitoring
- 3- or 8-pole connection
- Flexible connection possibilities
- Maintenance free
- Easy handling
- High quality materials

TECHNICAL DATA

Type	Switching voltage	Switching current	Switching capacity		max. flow rate	max. viscosity of the conveyed medium	min density of the conveyed medium
	V		W	VA			
SL-12.1	50	0,5	10	10	35*	50	1

*1) max. flow rates:
 up to 14 l/h with hose screwing 4/6
 up to 35 l/h with hose screwing 6/12

DIMENSIONS



	L	S1	S2
SL-12.1	600	33	104
SL-12.1	1.000	33	104
SL-12.1	1.200	33	104

BASIC DESIGNS



Suction lance SL-12.1 (with level switch, 2-stage with plug, 3-pole)

Properties

- Compact design
- Height-adjustable
- 2-stage level monitoring
- Flexible connection
- Easy handling
- High-quality materials
- Maintenance-free
- incl. hose connections
4/6, 6/8, 6/12

Basic version

- Suction lance: **PVC-U**
- Foot valve: **PVC-U**
- Valve ball: **PTFE**
- Hose (inboard): **PE**
- Level switch: **PP**
2-stage, normally closed (NC)
5m cable (from foot valve) with plug, M12, 3-pole
- max. flow rate: **14 l/h** (4/6) ... **35 l/h** (6/12)

Type	Length	Seals	Article-No.	Price (EUR)
C409.2-...e				
SL-12.1	600 mm	PTFE	37606120	▲
SL-12.1	1.000 mm	PTFE	37606117	▲
SL-12.1	1.200 mm	PTFE	37606118	▲



Suction lance SL-12.1 (with level switch, 2-stage with plug, 8-pole)

Properties

- Compact design
- Height-adjustable
- 2-stage level monitoring
- Flexible connection
- Easy handling
- High-quality materials
- Maintenance-free
- incl. hose connection
4/6, 6/8, 6/12

Basic version

- Suction lance: **PVC-U**
- Foot valve: **PVC-U**
- Valve ball: **PTFE**
- Hose (inboard): **PE**
- Level switch: **PP**
2-stage, normally closed (NC)
5m cable (from foot valve) with plug, M12, 8-pole
- max. flow rate: **14 l/h** (4/6) ... **35 l/h** (6/12)

Type	Length	Seals	Article-No.	Price (EUR)
iSTEP, C409.2-... Pro+				
SL-12.1	600 mm	PTFE	37606194	▲
SL-12.1	1.000 mm	PTFE	37606495	▲
SL-12.1	1.200 mm	PTFE	37606195	▲