



BLAGDON

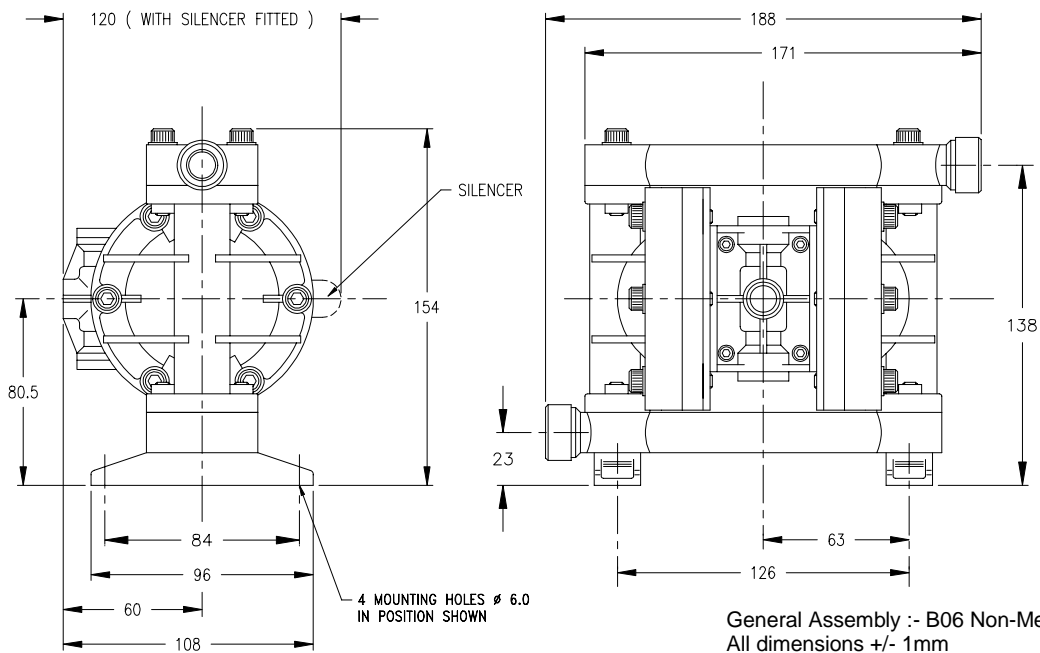
B06

AIR OPERATED
DOUBLE DIAPHRAGM PUMP

Non-Metallic Series

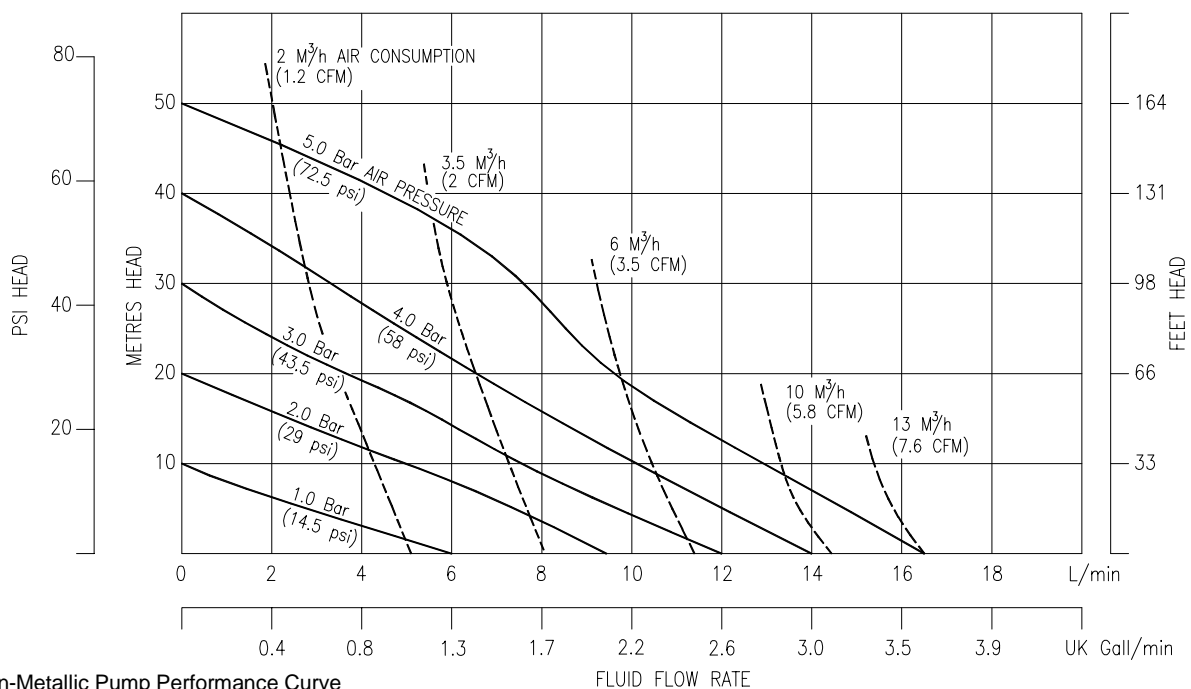
B06

DIMENSIONS



B06

PERFORMANCE



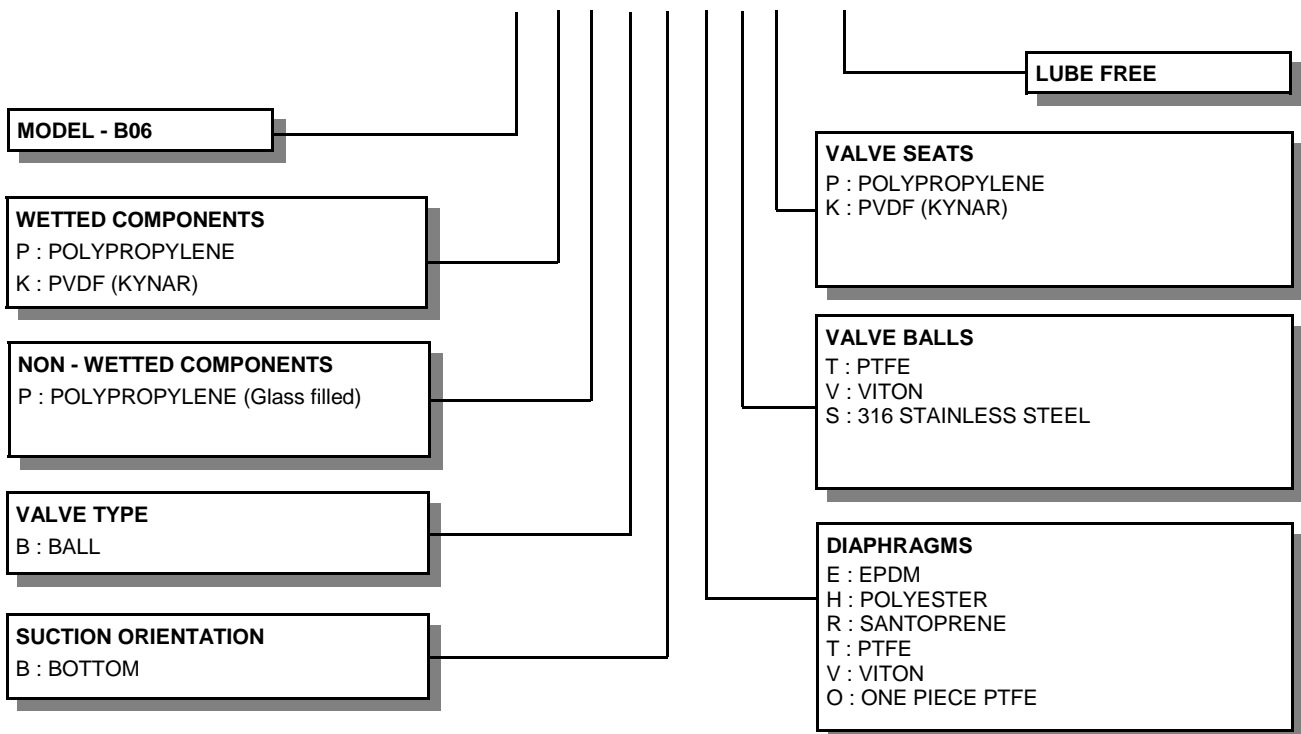
B06 Non-Metallic Pump Performance Curve
Performance based on water at ambient temperature

FLUID CONNECTIONS 1/4" BSP(F)	CAPACITY 0 - 16 Litres/Minute (0 - 3.5 Gallons/Minute)	MAX SOLIDS 1 MM (1/16")	MAX DISCHARGE HEAD 51 Meters (167 ft)	DISPLACEMENT/STROKE 0.02 Litres (0.004 UK Gallons)
MAX. WORKING PRESSURE 5.0 Bar (72.5 psi)	AIR INLET 1/4" BSP (F)	TEMPERATURE LIMITS Determined by Elastomers		PUMP WEIGHTS :- PP :- 1.2 Kg KP :- 1.4 Kg

ⓘ Caution - Operating temperature limitations are as follows:

Materials	Operating Temperatures		
	Maximum	Minimum	Optimum
EPDM - Shows very good water and chemical resistance. Has poor resistance to oils and solvents, but is fair on ketones and alcohols.	212°F 100°C	-11°F -24°C	50° to 212°F 10° to 100°C
Santoprene® - Injection moulded thermoplastic elastomer with no fabric layer. Long mechanical flex life. Excellent abrasion resistance.	212°F 100°C	-10°F -23°C	50° to 212°F 10° to 100°C
PTFE - Chemically inert, virtually impervious. Very few chemicals are known to react chemically with PTFE : molten alkali metals, turbulent liquid or gaseous fluorine and a few fluoro-chemicals such as chlorine trifluoride or oxygen difluoride which readily liberate free fluorine at elevated temperatures.	356°F 180°C	32°F 0°C	50° to 212°F 10° to 100°C
Viton® - Shows good resistance to a wide range of oils and solvents : especially all aliphatic, aromatic and halogenated hydrocarbons, acids, animal and vegetable oils.	356°F 180°C	0°F -18°C	75° to 212°F 24° to 100°C
Polypropylene - High strength, light weight, corrosion resistant polyolefin which easily withstands most chemicals, with no known solvent at room temperature.	158°F 70°C	-40°F -40°C	50° to 140°F 10° to 60°C

TYPICAL CODE = B06.P P. B B. E T P - L F



IMPORTANT

This pump should be used in accordance with the requirements of the Health and Safety at Work Act 1974. All business conducted subject to Blagdon Pump. Terms and Conditions of Sale, available on request.



LAMBERT ROAD, ARMSTRONG, WASHINGTON,
 TYNE & WEAR NE37 1QP ENGLAND.
 TEL : 0044 (0) 191 4177475
 FAX : 0044 (0) 191 4175435
 Web Site : www.blagdonpump.com
 E-Mail : sales@blagdonpump.com